



Tsarino Foundation  
Фондация Царино  
[www.tsarino.org](http://www.tsarino.org)  
[info@tsarino.org](mailto:info@tsarino.org)

## Razklon Gallery Submissions

We welcome proposals from all around the world. Please read through the specifications and conditions listed below before sending your submission to [razklon@tsarino.org](mailto:razklon@tsarino.org) along with:

1. a completed application form (see page 5)
2. a project proposal (PDF, max. size 5MB) containing sufficient images and a clear project description — we recommend adding a sketch or collage that shows how the project will look inside the showcase (for dimensions please refer to pages 3 and 4)
3. a short CV (PDF, no more than one side A4 please)

### Specifications

The showcase is approximately 1m<sup>3</sup>. For the exact measurements, see images below (page 3 and 4). It consists of a steel frame, painted black, with glass on five sides. The backside is a door secured by two padlocks. The base is built from natural stones originating from a collapsed house in Tsarino, in a traditional style using cement instead of clay for durability.

### Location

See its location [here](#).

### Sunlight

The rear of the showcase is situated roughly in the east and the front in the west. In the morning, sunlight falls into the showcase through the glass panel on the backside. In the afternoon, the sun comes through the front side.

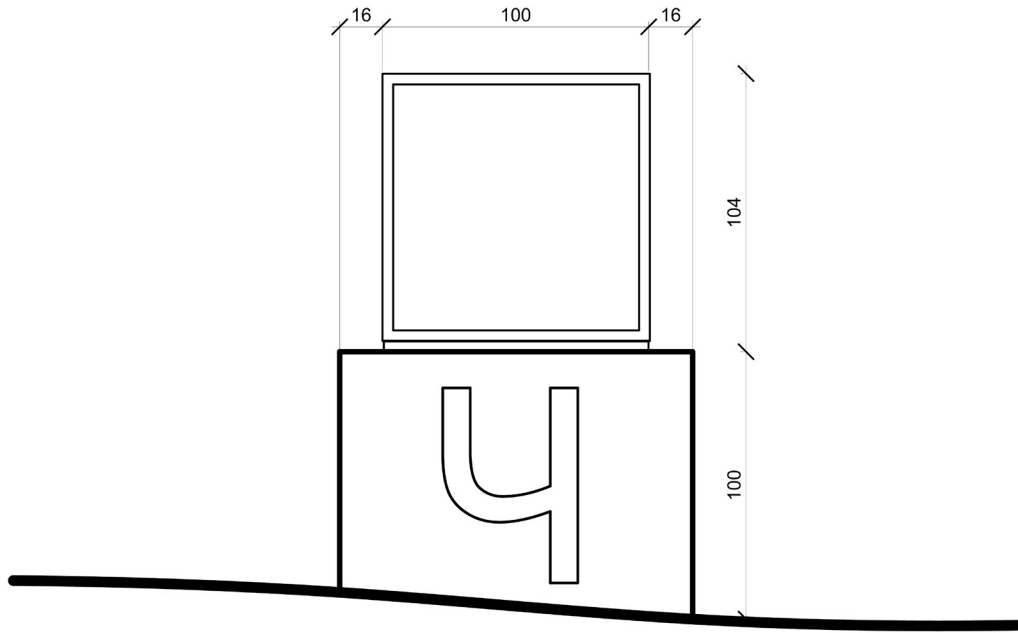
### Installation options

- No electricity available
- In principle, only natural light
- Hanging option through four hooks/eyes in the upper four corners of the showcase

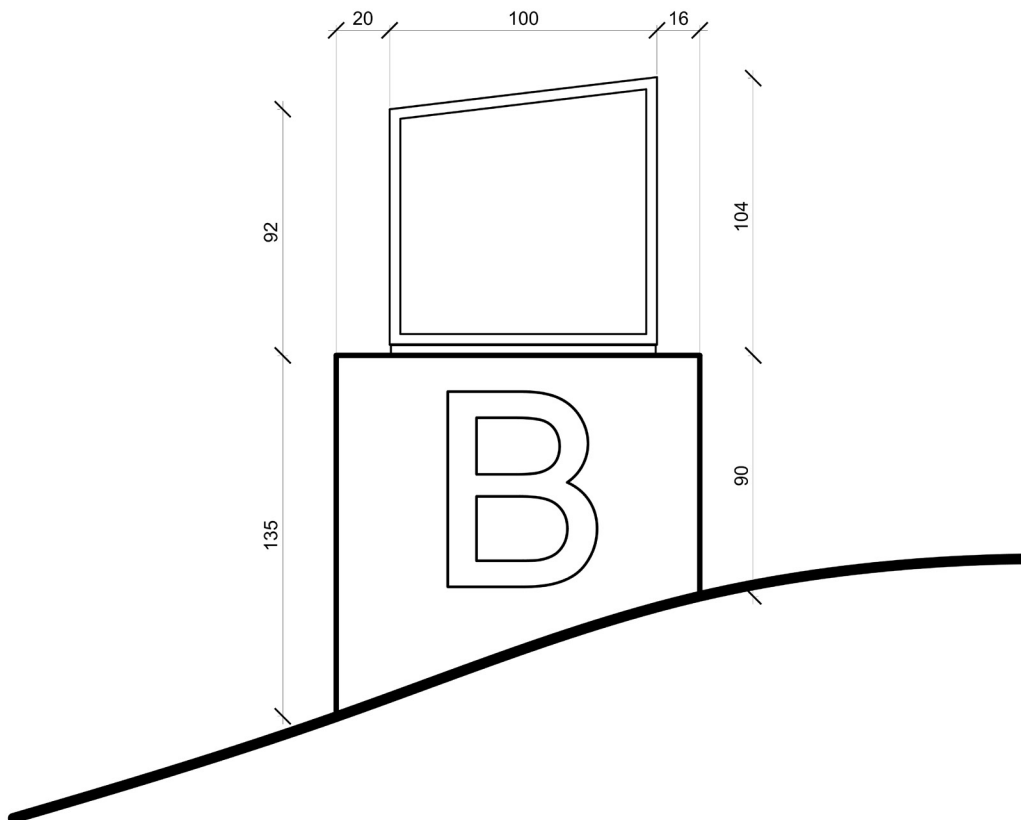
- Plinth, modular wall or other display element available on demand, please include this in your proposal
- Time-based or performative work can also be discussed
- A label (including the artist's name, title of the work, etc.) is placed on the bottom right corner of the front glass panel of the showcase, please let us know if you want something else
- Consider the time of year — if you would like your project to be presented within a specific season, please mention this in your application so we can try to fit you into the right month (depending on availability)

### **Conditions**

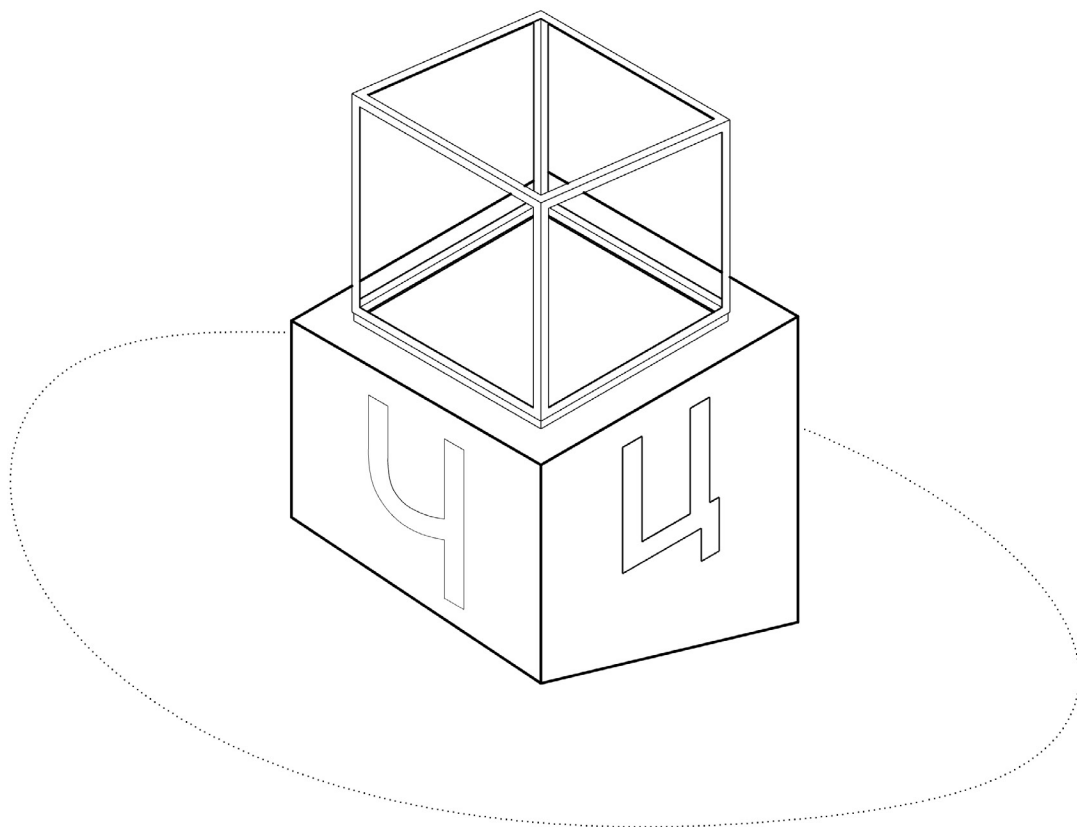
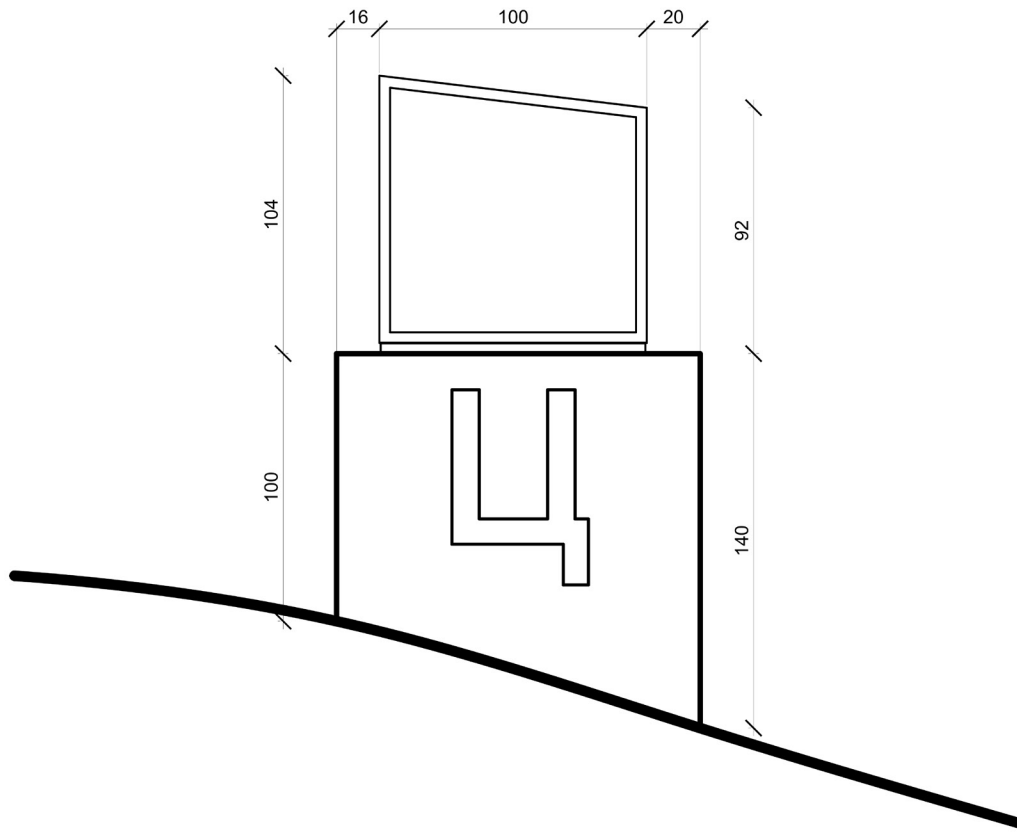
- Objects in the showcase will be exposed to full sunlight; please consider its effect on the materials of your project
- Do not send us your work until we have approved your proposal
- The standard duration for an exhibition is four weeks
- We cannot offer any form of insurance
- The expenses for delivery of the work are for the artist, however, we can supply documents needed for a funding application
- If you send your work by post, please provide a detailed description on how to install the work
- If you would like to visit us to install or pick up your work we can provide accommodation but please send us an email well in advance to discuss the possibilities
- After the exhibition, we happily return the work by post but the expenses are for the artist
- Alternatively, we offer the possibility of donating your work to the foundation (please indicate on the form what you choose to do with your work)



Front view



Left view



## Tsarino Foundation AiR — Razklon Gallery Application Form

Project title:

Name:

Address:

Telephone:

Email:

What will happen to your work after the exhibition? Please choose one of the following options (this will not influence our decision):

I will pay for postage to have my work sent back to me

I will arrange transport to pick up my work

I will donate my work to the foundation

Please return by email to [razklon@tsarino.org](mailto:razklon@tsarino.org) along with:

1. a project proposal (PDF, max. size 6MB) containing sufficient images and a clear project description — we recommend adding a sketch or collage that shows how the project will look inside the showcase (for dimensions please refer to pages 3–4)
2. a short CV (PDF, no more than one side A4 please)